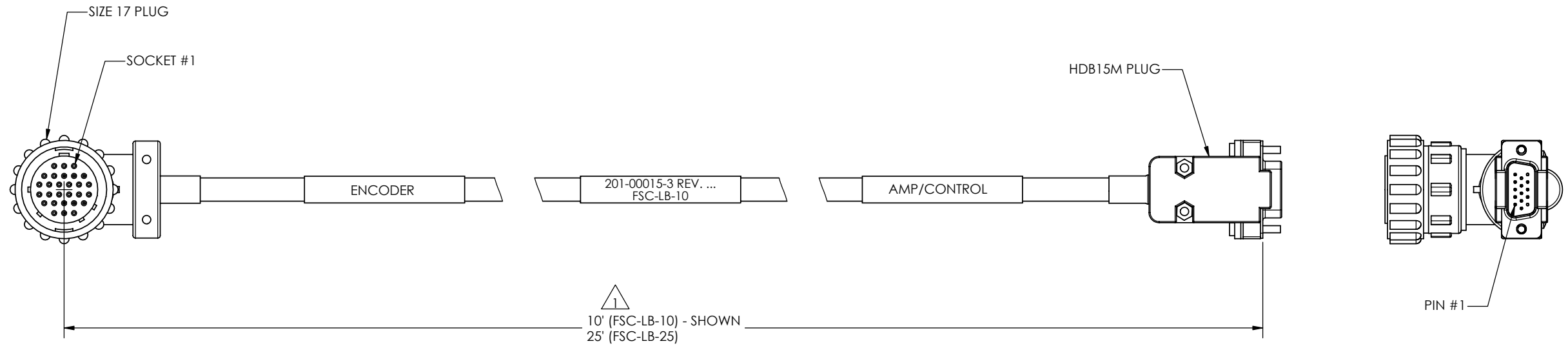
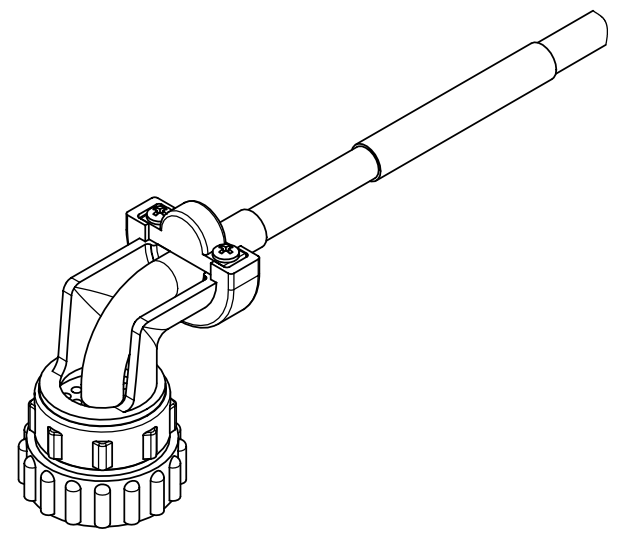
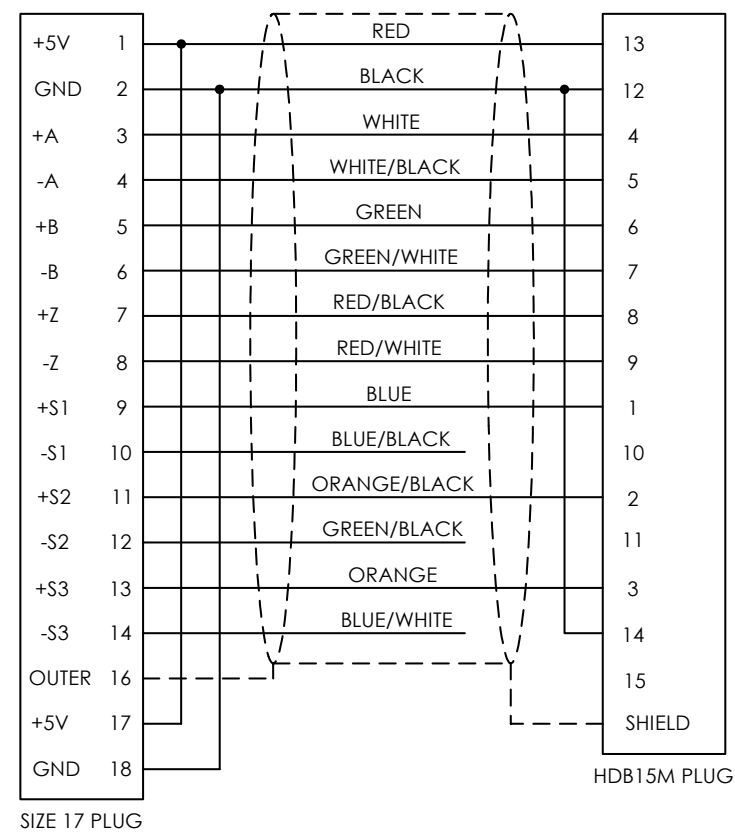


THIS DOCUMENT CONTAINS PROPRIETARY INFORMATION, AND EXCEPT WITH WRITTEN PERMISSION OF CALIFORNIA LINEAR DEVICES, INC., SUCH INFORMATION SHALL NOT BE PUBLISHED OR DISCLOSED TO OTHERS, OR USED FOR ANY PURPOSE, AND THE DOCUMENT SHALL NOT BE DUPLICATED IN WHOLE OR IN PART.

REVISION HISTORY			
REV.	DESCRIPTION	DATE	APPROVED
A	INITIAL RELEASE PER ECO #0094	5/16/02	PH




INTERFACE CONTROL DRAWING



RIGHT ANGLE CLAMP VIEW

- 2. BLACK/WHITE WIRE FROM CABLE IS NOT USED.
- 1. FOR NON-STANDARD LENGTH CABLES, CONSULT CALIFORNIA LINEAR DEVICES.

NOTES: UNLESS OTHERWISE SPECIFIED

UNLESS OTHERWISE SPECIFIED DIMENSIONS ARE IN INCHES. TOLERANCES ARE: DECIMALS .XX ± .01 ANGLES ± 0.5° XXX ± .005 INTERPRET PER ASME Y14.5M BREAK EDGES -.015/.003 FILLET RADIUS -.020/.005 SURFACE ROUGHNESS: 125 RMS PER ANSI 846.1		CONTRACT		 2236 Rutherford Road, Suite 119 Carlsbad, California 92008 California Linear Devices, Inc. www.callinear.com	
DO NOT SCALE DRAWING		APPROVALS	DATE	TITLE	
MATERIAL		C. GUFFEY	4/22/02	CABLE ASSEMBLY ICD, FSC-LB-XX (LINEAR SCALE TO AMC SE SERIES AMP)	
FINISH		C. ELLARD	5/16/02	SIZE	CAGE CODE
N/A		G. SCHULTZE	5/16/02	DWG NO.	REV.
N/A		P. HOLLINGSWORTH	5/16/02	C	ICD-FSC-LB-XX A
QUALITY ASSURANCE		SCALE		MODEL FILE NAME:	SHEET
		1:1		FSC-LB-XX rev A_cable assy, right angle, scale-se amp	1 OF 1