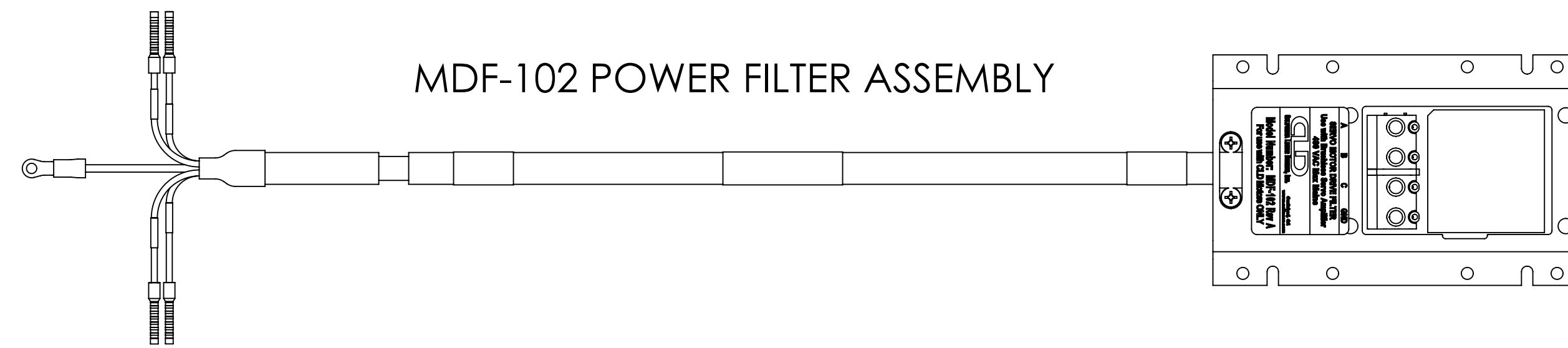
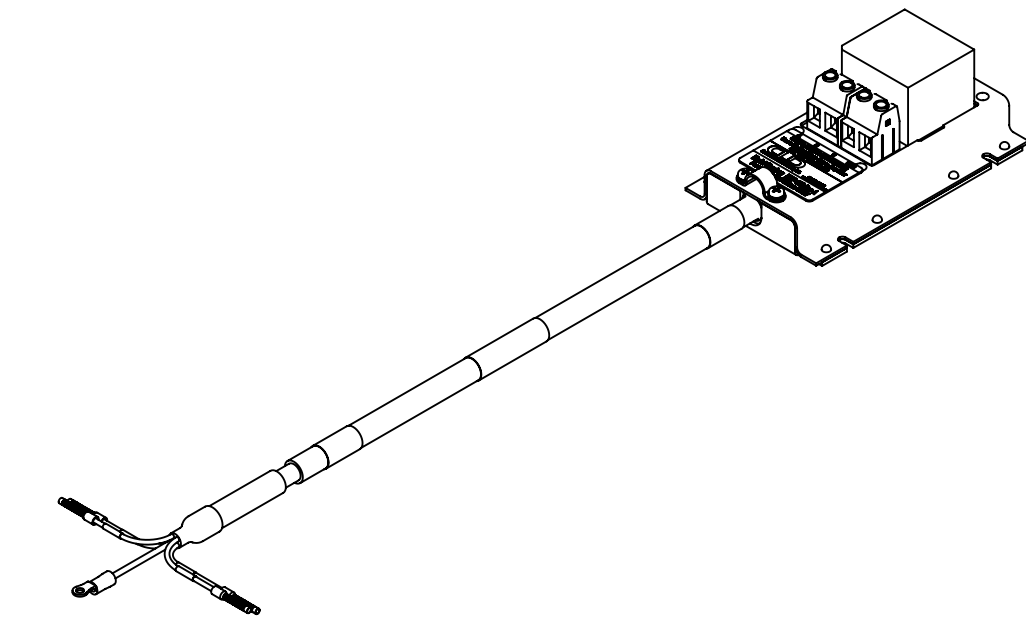


THIS DOCUMENT CONTAINS PROPRIETARY INFORMATION, AND EXCEPT WITH WRITTEN PERMISSION OF CALIFORNIA LINEAR DEVICES, INC. SUCH INFORMATION SHALL NOT BE PUBLISHED OR DISCLOSED TO OTHERS, OR USED FOR ANY PURPOSE, AND THE DOCUMENT SHALL NOT BE DUPLICATED IN WHOLE OR IN PART.

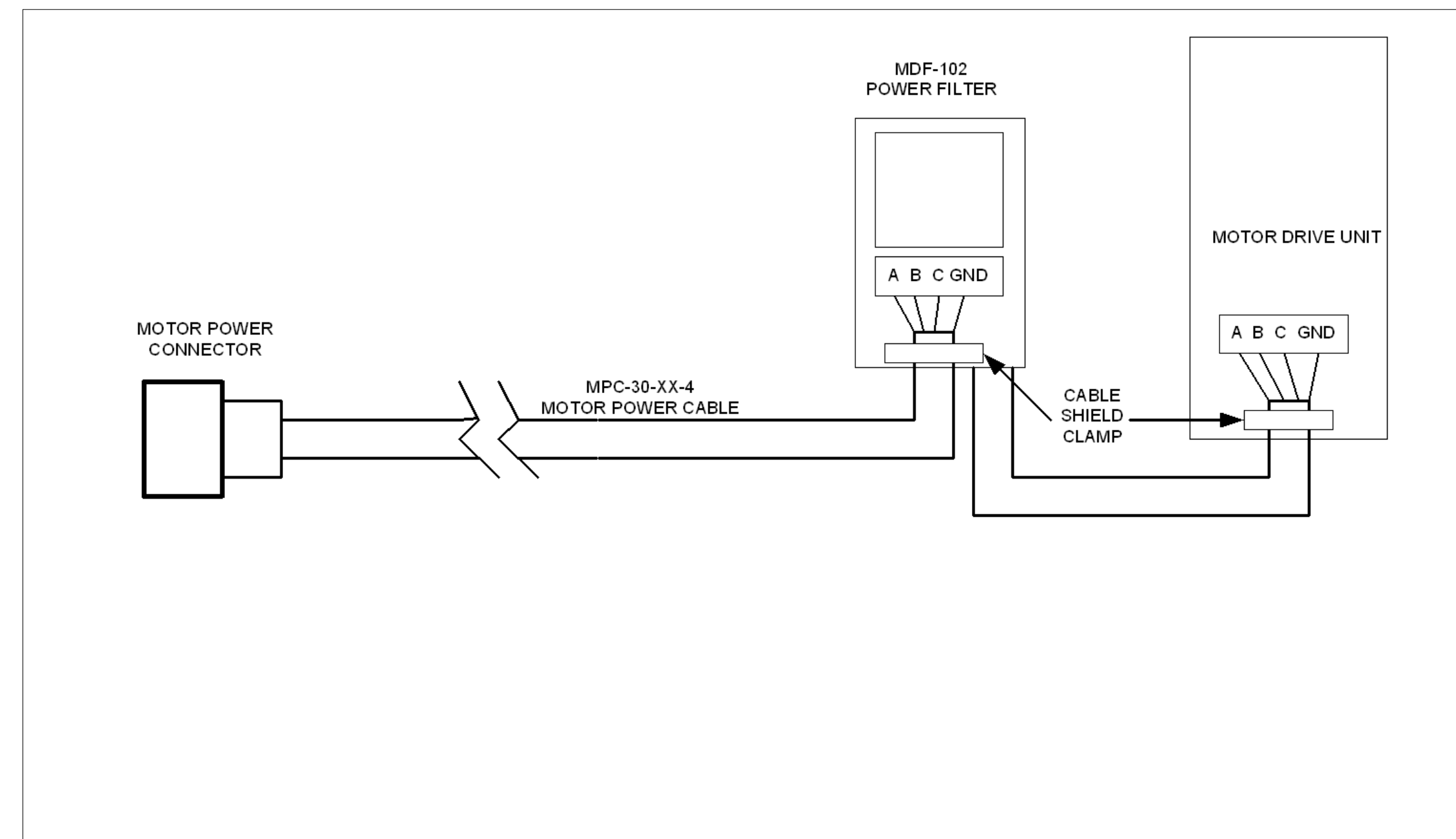
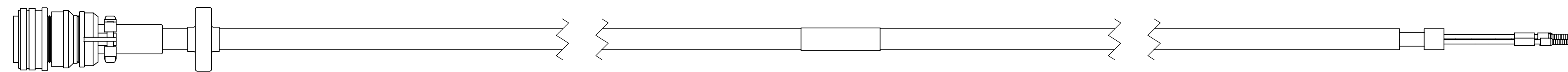
REVISION HISTORY			
REV.	DESCRIPTION	DATE	APPROVED
A	INITIAL RELEASE PER ECO 0149	2/2/06	PH



MDF-102 POWER FILTER ASSEMBLY



MPC-30-XX-4 MOTOR POWER CABLE
STANDARD LENGTHS - 10 AND 25 FEET



- FOR NON-STANDARD LENGTH CABLES, CONSULT CALIFORNIA LINEAR DEVICES.
- WARNING: REFLECTED WAVES MAY CAUSE VOLTAGE SPIKES IN THE MOTOR WINDINGS WITH CABLE LENGTHS GREATER THAN 100 FEET. WITH THESE LENGTHS, IT IS RECOMMENDED THAT AN APPROPRIATE OUTPUT REACTOR OR DV/DT FILTER BE PLACE BETWEEN THE AMPLIFIER AND THE MOTOR. IT IS THE RESPONSIBILITY OF THE USER TO INSURE PROPER OPERATION AND SAFETY.**
- CABLE ASSEMBLY MUST BE USE IN CONJUNCTION WITH POWER FILTER MDF-102 AS PART OF ICD MPC-30-XX-6. CABLE ASSEMBLY MUST NOT BE CONNECTED DIRECTLY TO SERVO DRIVE WITHOUT FILTER.**

NOTES: UNLESS OTHERWISE SPECIFIED

UNLESS OTHERWISE SPECIFIED
DIMENSIONS ARE IN INCHES.
TOLERANCES ARE:
DECIMALS .XX ± .01
.XXX ± .005
ANGLES ± 0.5°
INTERPRET PER ASME Y14.5M
BREAK EDGES - .015/.003
FILLET RADII - .020/.005
SURFACE ROUGHNESS: 125 RMS, ANSI 846.1

DO NOT SCALE DRAWING

MATERIAL N/A

FINISH N/A

CONTRACT	
APPROVALS	DATE
D. Tanadjaja	2/2/06
P. Hollingsworth	2/3/06
M. Lindberg	2/2/06
P. Hollingsworth	2/3/06

CLD
CALIFORNIA LINEAR DEVICES, INC.

2236 Rutherford Road, Suite 119
Carlsbad, California 92008
www.calinear.com

TITLE
CABLE ASSEMBLY/FILTER - ICD, 440 V
MPC-30-XX-6

SIZE	CAGE CODE	DWG NO.	REV.
D		MPC-30-XX-6	A

SCALE: NONE FILE: MPC-30-XX-6-rev_A_cable Assy, power, 30A, filter, 440V SHEET 1 OF 1

DWG NO. MPC-30-XX-6
REV. A