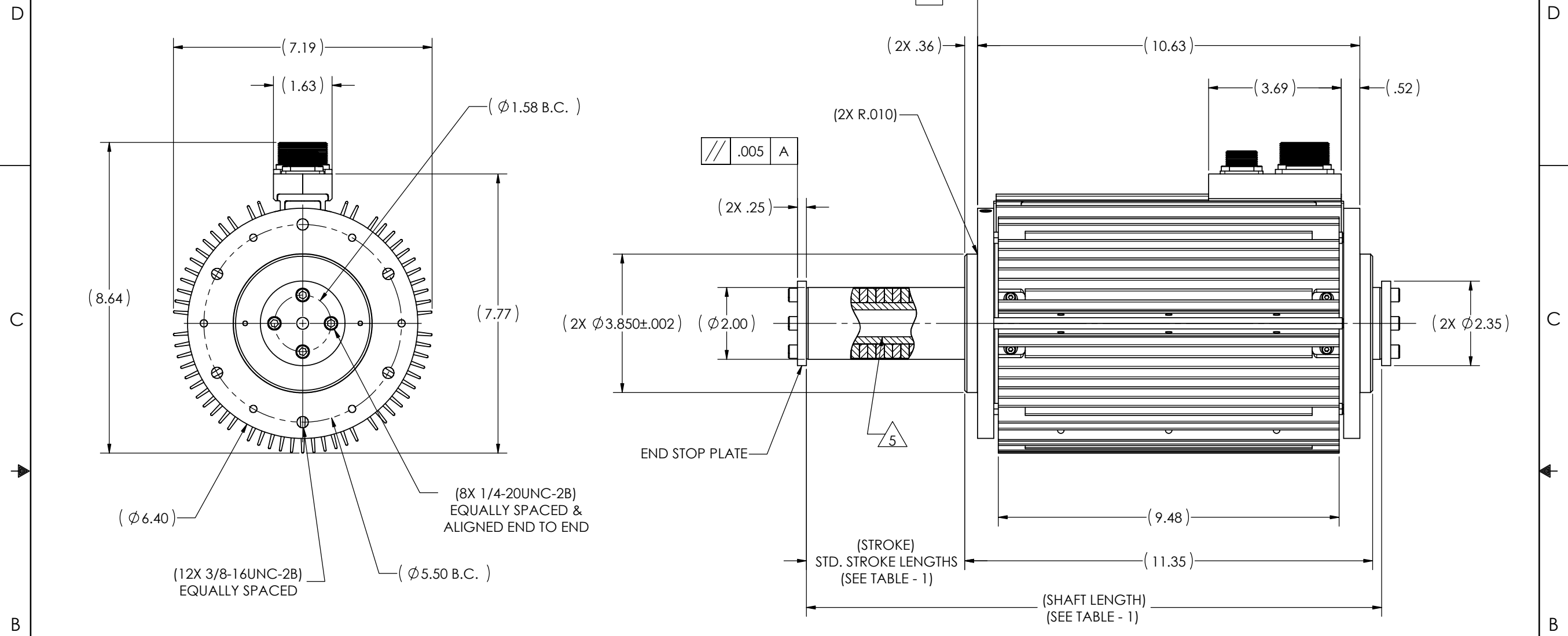


THIS DOCUMENT CONTAINS PROPRIETARY INFORMATION, AND EXCEPT WITH WRITTEN PERMISSION OF CALIFORNIA LINEAR DEVICES, INC. SUCH INFORMATION SHALL NOT BE PUBLISHED OR DISCLOSED TO OTHERS, OR USED FOR ANY PURPOSE, AND THE DOCUMENT SHALL NOT BE DUPLICATED IN WHOLE OR IN PART.

DWG NO. ICD - 50204C SH 1 REV. A

| REVISION HISTORY | | | |
|------------------|-------------------------------|--------|----------|
| REV. | DESCRIPTION | DATE | APPROVED |
| A | INITIAL RELEASE PER ECO #0109 | 2/7/03 | PH |




INTERFACE CONTROL DRAWING

| MODEL NO. | STROKE LENGTH IN INCHES (NOMINAL) | POLE PITCH IN INCHES | ESTIMATED MOTOR WEIGHT IN LBS. | ESTIMATED SHAFT WEIGHT IN LBS. | SHAFT LENGTH IN INCHES |
|------------------|-----------------------------------|----------------------|--------------------------------|--------------------------------|------------------------|
| 50204C02-...-... | 2.35 | .922 | 60 | 10 | 13.70 |
| 50204C04-...-... | 4.65 | | 62 | 12 | 16.00 |
| 50204C06-...-... | 6.50 | | 63 | 13 | 17.85 |
| 50204C08-...-... | 8.35 | | 64 | 15 | 19.70 |
| 50204C10-...-... | 10.25 | | 65 | 16 | 21.60 |
| 50204C12-...-... | 12.05 | | 66 | 18 | 23.40 |
| 50204C14-...-... | 14.35 | | 68 | 19 | 25.70 |
| 50204C16-...-... | 16.23 | | 69 | 21 | 27.58 |

- 5. MOTOR SHAFT CONTAINS A .75 STANDARD TUBING INNER DIAMETER.
- 4. FOR INFORMATION NOT CONTAINED ON THIS DRAWING, REFER TO USERS MANUAL (REF. UM-102).
- 3. MODEL SHOWN: 50204C...-...-CV.
- 2. THE MOTOR BEARINGS ARE NOT INTENDED TO SUPPORT RADIAL LOADS. THIS WILL RESULT IN ACCELERATED BEARING WEAR. PLEASE CONSULT CLD REGARDING YOUR APPLICATION IF RADIAL LOADS ARE EXPECTED.
- 1. CAUTION: DO NOT OPERATE THE MOTOR WITHOUT THE END STOP PLATES OR AN EXTERNAL STOP TO CONTAIN THE SHAFT IN THE STATOR.

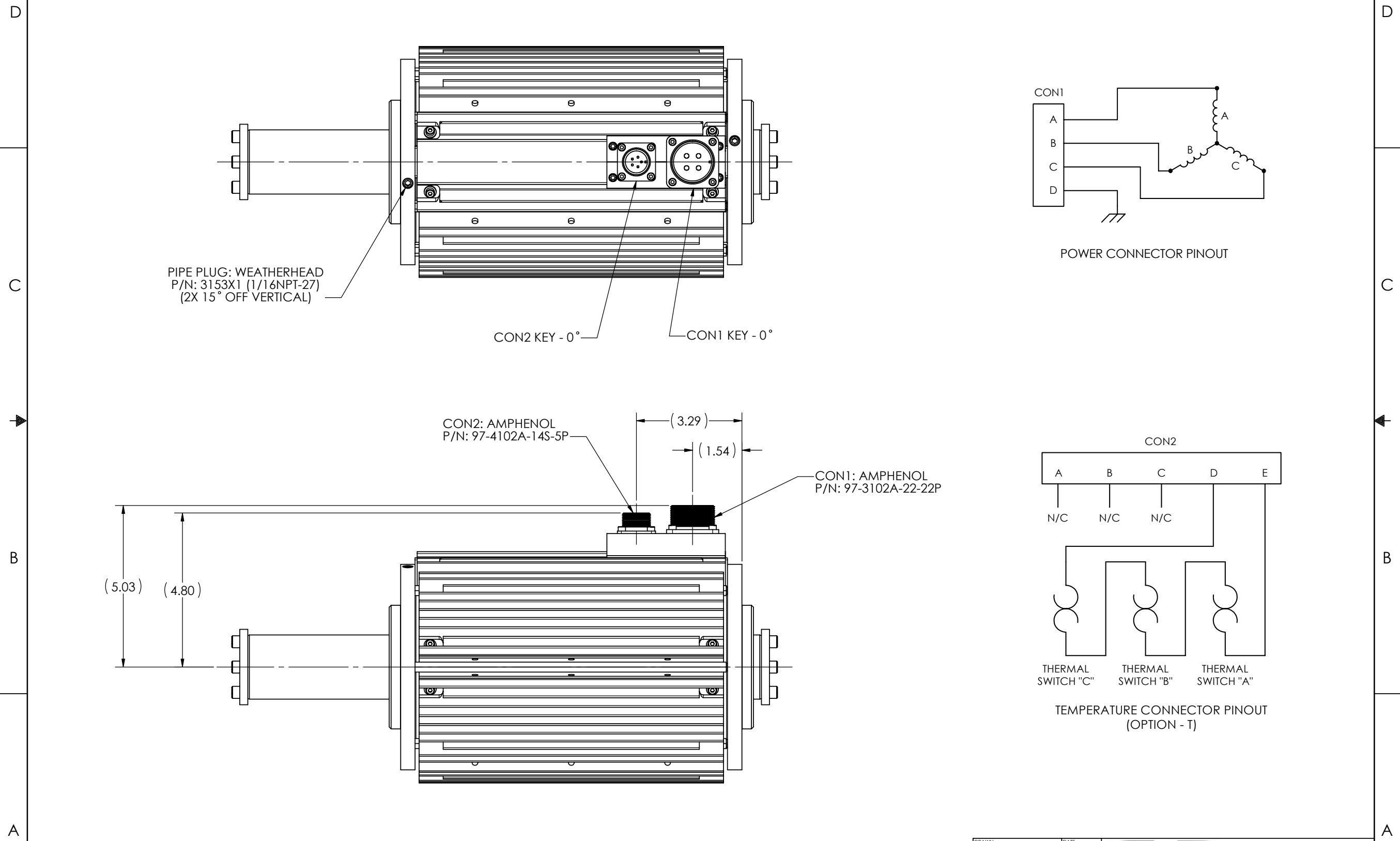
NOTES: UNLESS OTHERWISE SPECIFIED


| | | | | |
|--|---|--|---|--|
| <small>UNLESS OTHERWISE SPECIFIED DIMENSIONS ARE IN INCHES. TOLERANCES ARE: DECIMALS .005 ANGLES ± 0.5° .XXX ± .01 INTERPRET PER ASME Y14.5M BREAK EDGES -.015/.003 FILLET RADIUS -.020/.005 SURFACE ROUGHNESS 125 RMS PER ANS1 846-N</small> DO NOT SCALE DRAWING | <small>CONTRACT</small> APPROVALS: C. GUFFEY 9/9/02 C. ELLARD 2/7/03 G. SCHULTZE 2/7/03 P. HOLLINGSWORTH 2/7/03 <small>QUALITY ASSURANCE</small> | |  2236 Rutherford Road, Suite 119 Carlsbad, California 92008 California Linear Devices, Inc. www.callinear.com | |
| | <small>DRAWN</small> C. GUFFEY 9/9/02 | | <small>TITLE</small> 50204C SERIES MOTOR | |
| | <small>CHECKED MECHANICAL</small> C. ELLARD 2/7/03 | | <small>SIZE</small> C | |
| | <small>CHECKED ELECTRICAL</small> G. SCHULTZE 2/7/03 | | <small>DWG NO.</small> ICD - 50204C | |
| <small>FINISH</small> N/A | | <small>SCALE</small> 1:2 | | |
| <small>MATERIAL</small> N/A | | <small>MODEL FILE NAME</small> 50204C rev A | | |
| <small>REVISION</small> A | | <small>SHEET</small> 1 OF 2 | | |

THIS DOCUMENT CONTAINS PROPRIETARY INFORMATION, AND EXCEPT WITH WRITTEN PERMISSION OF CALIFORNIA LINEAR DEVICES, INC. SUCH INFORMATION SHALL NOT BE PUBLISHED OR DISCLOSED TO OTHERS, OR USED FOR ANY PURPOSE, AND THE DOCUMENT SHALL NOT BE DUPLICATED IN WHOLE OR IN PART.

DWG NO. ICD - 50204C SH 2 REV. A

| REVISION HISTORY | | | |
|------------------|-----------------------------|------|----------|
| REV. | DESCRIPTION | DATE | APPROVED |
| | SEE SHEET - 1 FOR REVISIONS | | |



| | | | | | | | |
|-------|-----------|-----------------|--------------|---|--------------|------|---|
| DRAWN | C. GUFFEY | DATE | 9/9/02 |  California Linear Devices, Inc. 2236 Rutherford Road, Suite 119 Carlsbad, California 92008 www.callinear.com | | | |
| SCALE | 1:2 | MODEL FILE NAME | 50204C rev A | | | | |
| SIZE | C | CAGE CODE | | DWG NO. | ICD - 50204C | REV. | A |
| SHEET | | 2 | | OF | | 2 | |