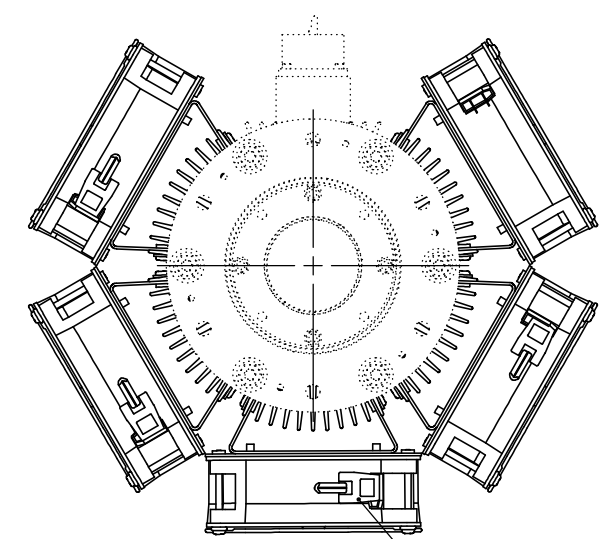
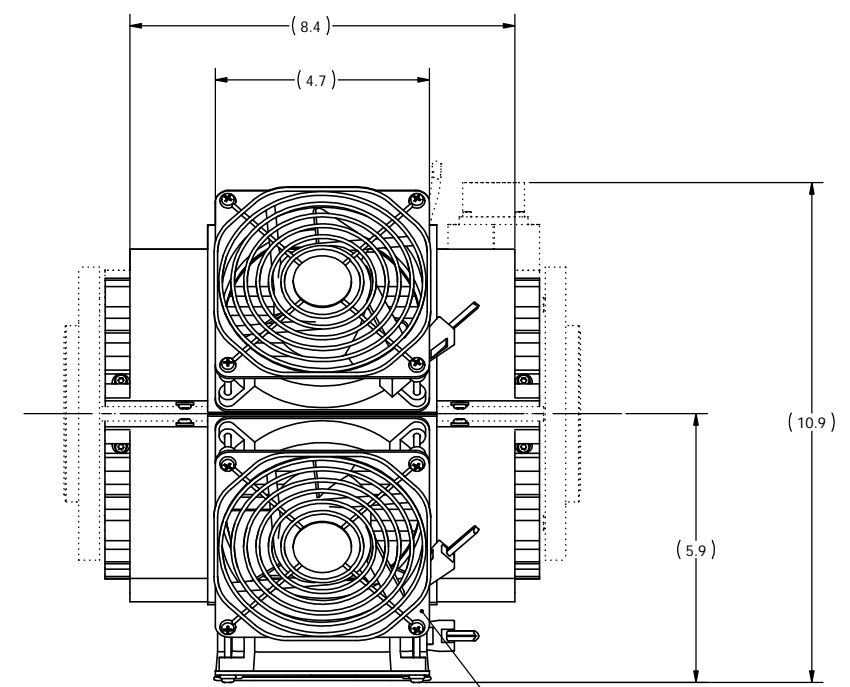
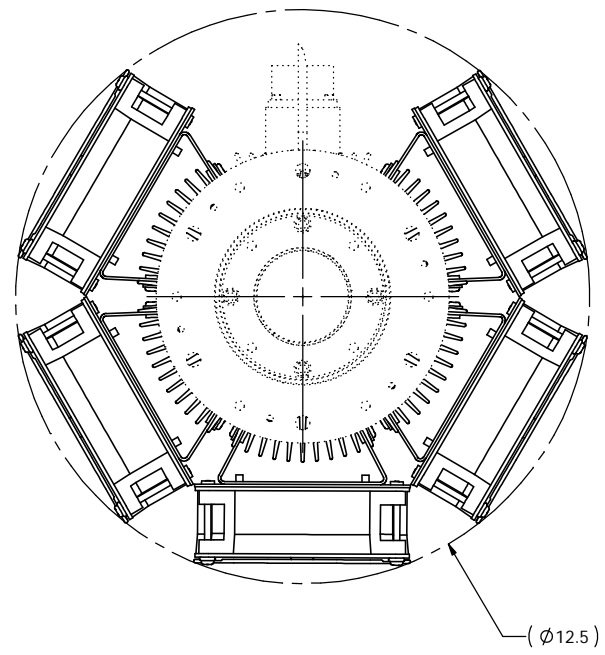


THIS DOCUMENT CONTAINS PROPRIETARY INFORMATION, AND EXCEPT WITH WRITTEN PERMISSION OF CALIFORNIA LINEAR DEVICES, INC., SUCH INFORMATION SHALL NOT BE PUBLISHED OR DISCLOSED TO OTHERS, OR USED FOR ANY PURPOSE, AND THE DOCUMENT SHALL NOT BE DUPLICATED IN WHOLE OR IN PART.

REVISION HISTORY			
REV.	DESCRIPTION	DATE	APPROVED
A	INITIAL RELEASE PER ECO# 0037	9/14/01	PH



FAN ASSY (CLD P/N: 300-00019)
 220/230 VAC, 1 PHASE, 50/60 HZ
 .50/.45 TOTAL LINE AMPS
 2700/3100 RPM
 98/115 CFM

CABLE ASSY (CLD PN: 403-00011)
 2 WIRE PIG TAIL

MOTOR MODELS: 50204....-FN & 50206....-FN

NOTES: UNLESS OTHERWISE SPECIFIED

UNLESS OTHERWISE SPECIFIED DIMENSIONS ARE IN INCHES. TOLERANCES ARE: DECIMALS .015 ANGLES ± 0.5° .XXX ± .005 INTERPRET PER ASME Y14.5M BREAK EDGES .015/003 FILLET RADIUS .020/005 SURFACE ROUGHNESS: 125 RMS, ANSI 848-1 DO NOT SCALE DRAWING	CONTRACT		 2236 Rutherford Road, Suite 119 Carlsbad, California 92008 www.calinear.com
	APPROVALS	DATE	
	DRAWN J VERESPEJ	9/5/01	
	CHECKED MECHANICAL		
MATERIAL N/A	CHECKED ELECTRICAL G SCHULTZE	9/14/01	TITLE OPTION - FN FORCED AIR (5 INCH MOTOR ONLY)
FINISH N/A	ENGINEERING MANAGER P HOLLINGSWORTH	9/13/01	
QUALITY ASSURANCE			SIZE D CAGE CODE DWG NO. ICD - OPTION - FN REV A
SCALE: 1:2		FILE: 504-00024 rev_A_308_fan_5_inch_motor_12_cool	SHEET 1 OF 1

CON. NO. ICD - OPTION - FN REV. A